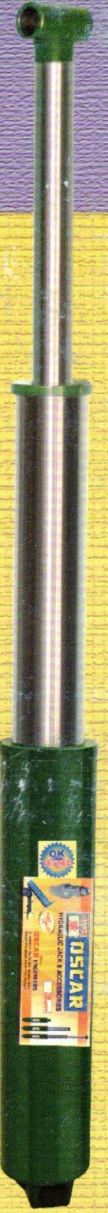
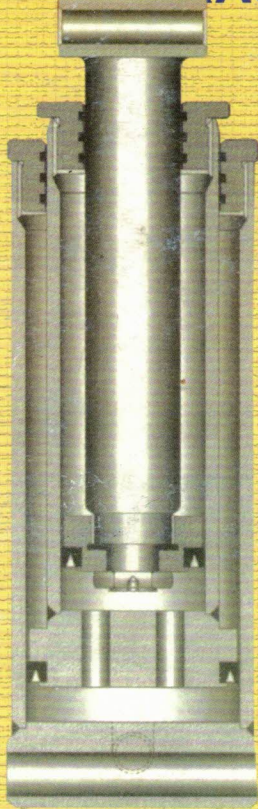




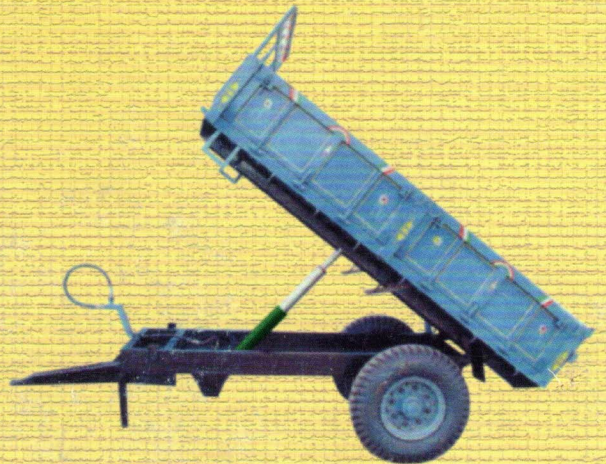
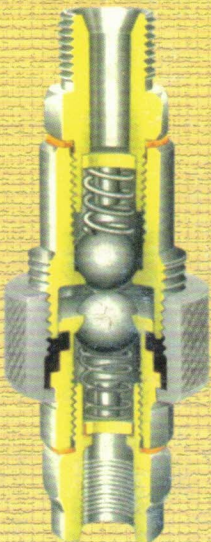
# OSCAR

## HYDRAULIC JACK & ACCESSORIES



# OSCAR

# Telehoist





# OSCAR

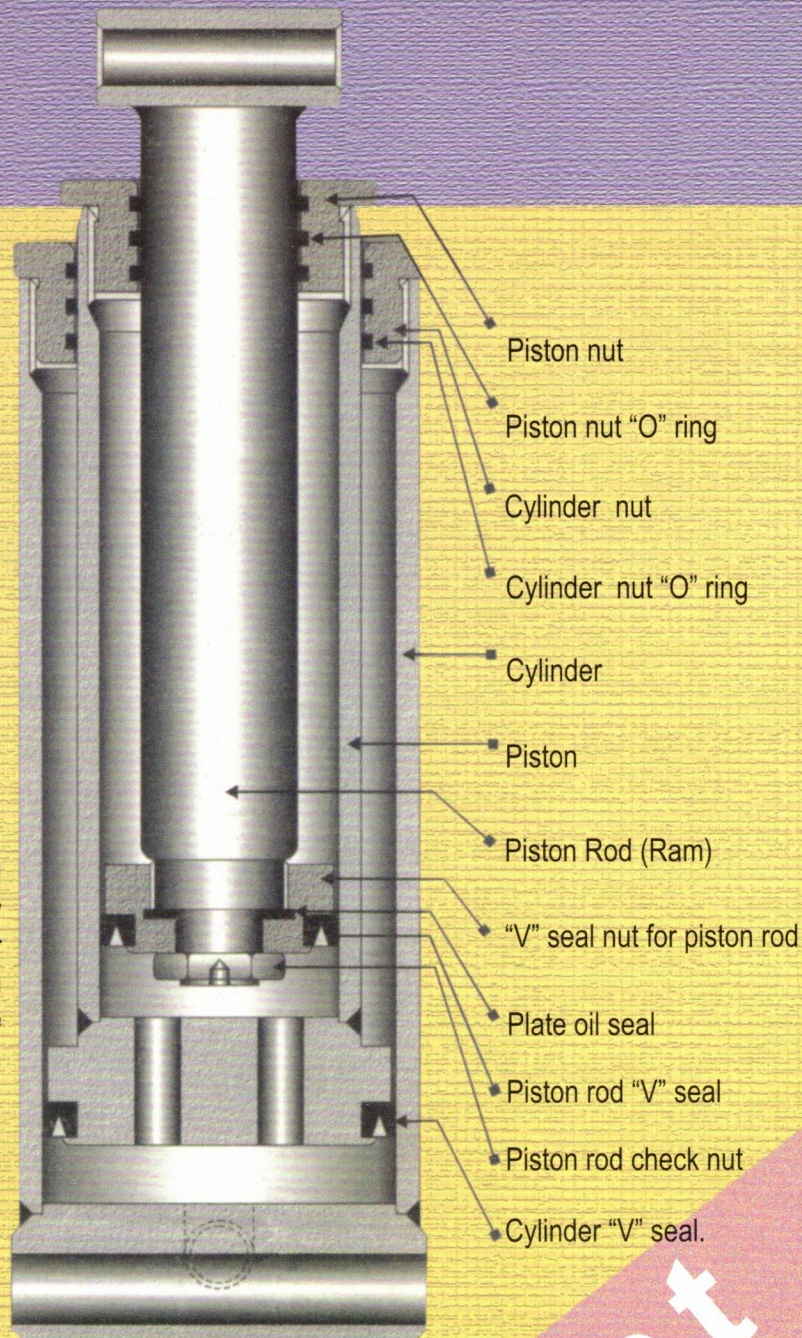
## HYDRAULIC JACK & ACCESSORIES

### Salient features

Our new technologies hydraulic cylinders are specialize and designed as per International standards of hydraulic Engineering. Manufactured at in house with highly trained engineers. We have quality control facilities like latest measuring equipments, equipments for process stage inspection. We produce precision quality products for customers satisfaction.

### Hydraulic cylinders

Tubes for hydraulic jack cylinder are manufactured from cold drawn seamless tubes and inside bore fine finishing done by automatic latest honing machine. Bore size checked by air gauge, bore gauge with accuracy 0.001 m.m., surface finish checked by surface roughness tester to ensure longer life of "V" seal rubber.



Hydraulically Tested as per IS specifications.

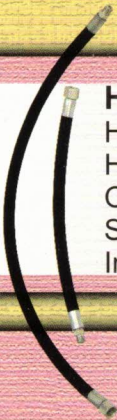
Technical Specifications					
Capacity	Cylinder		Piston		Ram
	O.D.	I.D.	O.D.	I.D.	O.D.
3 Tons	113 mm	99 mm	86 mm	76 mm	48 mm
5 Tons	125 mm	111 mm	86 mm	76 mm	48 mm
8 Tons	139 mm	124 mm	86 mm	76 mm	48 mm
Open Length			1505 mm.		(59.000")
Closed Length			667 mm.		(26.250")
Gudgeon Pin (Cylinder)			40 mm.		(1.575")
Gudgeon Pin (Ram)			35 mm.		(1.378")

Telehoist



# OSCAR

## HYDRAULIC JACK & ACCESSORIES



### Hydraulic High Pressure Rubber Hosepipe (End Fitting)

Hose are available in any length.

Hoses are measured from nipple end to nipple end.

One side consist male thread (Out thread nipple) 3/8 B.S.P.

Second side consist female threads (inner thread revolving nut) 1/2 B.S.P.

In case of demand both side female threads fitting are available.



### Male female couple (Assembly Fitting)

Inside use high carbon and high chromium steel balls.

High tension strength spring.

For parts assly. Use quality copper washer.

Use high quality synthetic nitrile rubber "O" ring in assly. of end female.

The above all parts assembly 100 % inspection & dydraulically tested as per "IS" specification.



### Benjo Bolt and Copper Washer

Benjo bolt are available for following tractors.

International (Mahindra)

Ford, Massey ferguson, HMT Zetor, Kirlosker, Swaraj, Escort.

### Benjo Tee

Benjo tee speciality manufacturing.

Oil hole & benjo bolt hole done by reaming finishing operation and control rightangleness and centricity within 0.050 due to high accuracy after assembly no leakage in high pressure.



### Big Nipple

Big nipple inner thread done with respect to face rightangleness within 0.050.

Due to high accuracy after assembly no leakage in high pressure.

### Small Nipple

Small nipple fine thread due to thread done by thread rolled machine.

Thread size & face right angleness within 0.02.

so in assembly no leakage in high pressure.



### Dust Adaptor with cap

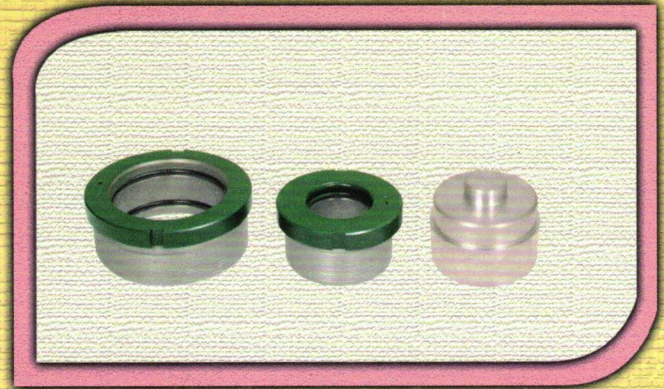
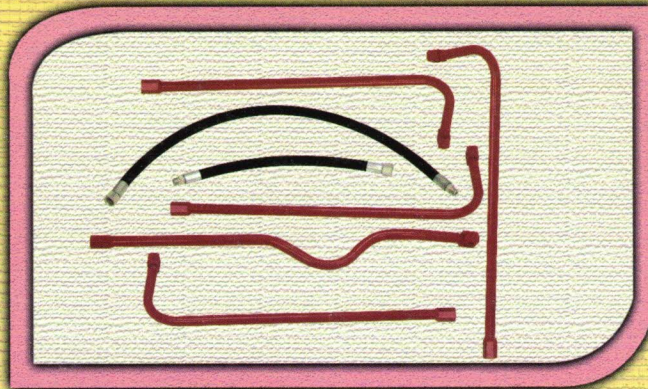
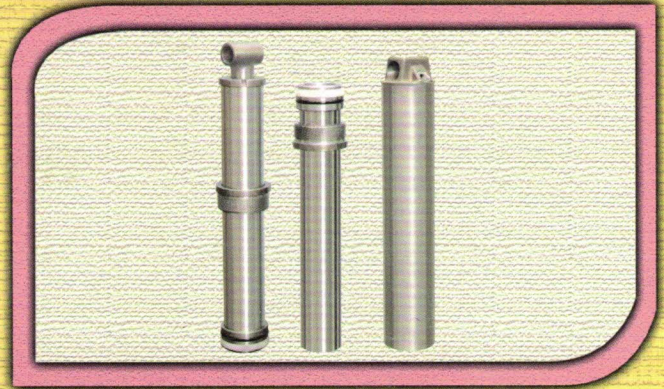
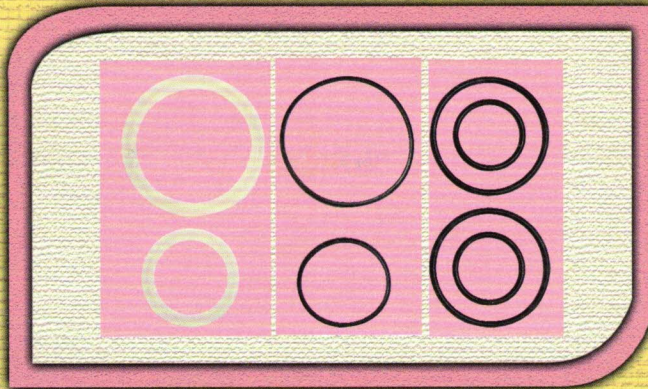
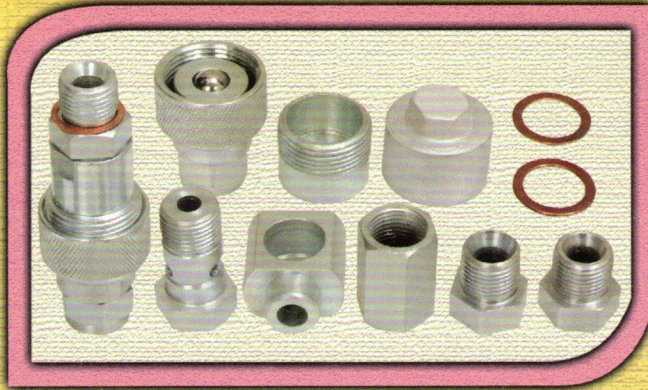
Thread interchangeability available due to thread by I.S. specification.



# OSCAR

## HYDRAULIC JACK & ACCESSORIES

TELEHOIST & ACCESSORIES



**GUARANTEE** OSCAR HYDRAULIC CYLINDER GUARANTEED FOR 6 MONTH FOR FREE REPAIRS ONLY AGAINST AND MANUFACTURING DEFECTS PROVIDED RETURNED UNTEMPERED FROM THE OF SALE.

**NOTE** : DESIGNS AND SPECIFICATIONS ARE SUBJECT TO CHANGE WITHOUT PRIOR NOTICE FOR SAKE OF CONSTANT IMPROVEMENTS IN QUALITY R & D DEPARTMENT.



Manu. :  
**OSCAR ENGINEERS**  
3 - Umakant Pandit, Mavdi Plot, Rajkot-4.  
Mobile : 99251 51468 / 99794 67293

Auth. Dealer:

pracharmedia@yahoo.co.in/ph.0281-2465760